

Installation Manual



10324 KIT

Ford F-450 / F-550 Commercial Cab & Chassis (2WD/4WD)*

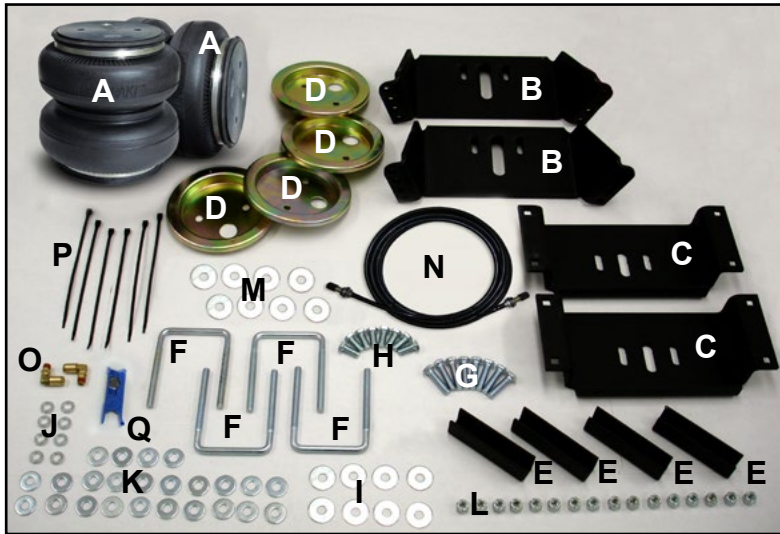
Use the most advanced air springs on the market to eliminate your vehicle's sag, sway and bottoming out. This heavy duty air suspension kit levels your truck's stance while providing added support for an overall smooth and safe ride.

* See application guide for proper fitment.



WARNING: This product can expose you to the chemical Hexavalent Chromate, which is known to the State of California to cause cancer and birth defects or other reproductive harm. *For more information go to www.P65Warnings.ca.gov*

KIT CONTENTS



Make sure all the items shown in the photo are provided in your kit before starting the installation.

CAUTION: This kit includes “push to connect OR barbed” airline fittings. They require the end of the airline to be round, square and cleanly cut to ensure the internal seal will not leak. The airline must only be cut with a sharp razor knife or hose cutter (provided in the kit).

KIT CONTENTS

A	Air Springs	(2)	HP10068
B	Upper Brackets	(2)	HP0044
C	Lower Brackets	(2)	HP0104
D	Roll Plates	(4)	HP10069
E	Spacer Bracket	(4)	HP0028
F	3/8" NC x 61/2" U-bolts	(4)	HP1018
G	3/8" NC x 11/2" bolts	(8)	C18018
H	3/8" NF x 7/8" capscrews	(8)	HP1002
I	3/8" Flat Washers Large O.D.	(8)	HP1013
J	3/8" Lock Washer	(8)	C18007
K	3/8" Flat Washer Small O.D.	(24)	C653
L	3/8" Nylock Nuts	(16)	HP1000
M	3/8" Flat Washer 1/8" Thick	(8)	HP1135
N	Air Line/Valve Assembly	(1)	HP1344
O	Air Fitting	(2)	HP1245
P	Tie Straps	(6)	C11618
Q	Hose Cutter	(1)	M3941

REQUIRED TOOLS

- 7/16", 1/2", 9/16" open end or box wrenches
- Adjustable Wrench
- Torque Wrench
- 7/32" Allen Wrench
- 9/16" & 1/2" deep well sockets
- Heavy Duty Drill
- 3/8" and 5/16" drill bits (very sharp)
- 3/8" Nut Driver
- Hacksaw
- Pipe Thread Sealant
- Hose Cutter, Razor Blade or Sharp Knife
- Air Compressor/Compressed Air Source
- Hoist or Floor Jack
- Safety Stands
- Safety Glasses
- Spray Bottle with Dish Soap/Water

BEFORE STARTING THE INSTALLATION:

1. Ensure the application information is correct for the make, model and year of the vehicle you are installing the kit on.
2. Some vehicles are equipped with a rear wheel brake proportioning valve. Check with the manufacturer before installing the air spring kit, as it may affect braking performance.
3. It is recommended to use a good quality anti-seize on all fasteners. This will reduce the chance of corrosion on the fasteners and will help facilitate removal, if required at a later date.

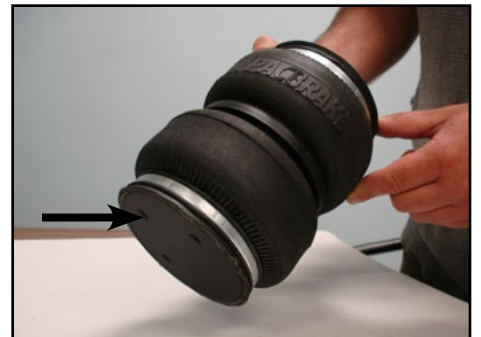
PLEASE NOTE:

This kit contains push-to-connect fittings; using scissors or wire cutters to cut the nylon airline will distort the line and cause the connection to leak. THE AIRLINE MUST BE CUT OFF SQUARELY WITH THE NYLON HOSE CUTTER PROVIDED IN THIS KIT OR A SHARP UTILITY KNIFE.

.....

1 PREASSEMBLY OF THE AIR SPRINGS ON THE LOWER BRACKET

Locate the end of the air spring with the $\frac{1}{8}$ " NPT air port, place this side down with the air port away from you.



- 2 Place the roll plate over the end of the air spring, aligning the two mounting holes (rounded end towards the air spring). Then, place the lower mounting bracket with the flange towards you over the roll plate and air spring aligning the two mounting holes.



- 3** Using the two $\frac{3}{8}$ " NF x $\frac{7}{8}$ " capscrews, flat and lock washers, loosely fasten the assembly together. Do not tighten the capscrews fully until final adjustment is performed in step 8.

Repeat steps 1 - 3 on the other side

4 INSTALLATION ON THE VEHICLE

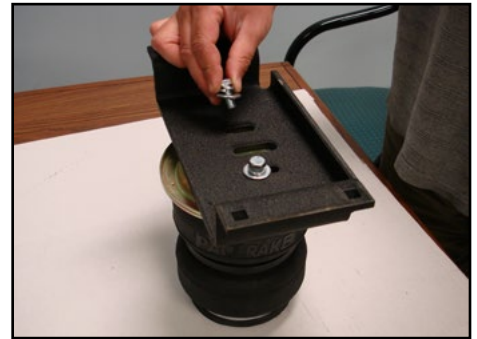
Remove any unnecessary weight from the vehicle to attain Normal Ride Height. This is important for correct initial air spring set-up and adjustment. Park the vehicle on a level concrete surface.

Raise the rear axle with a floor jack enough to remove both rear wheels and attain a comfortable working height. Place two jack stands under the axle as shown in the photo. Lower the floor jack until the vehicles axle is supported by the jack stands.

- 5** Place the lower air spring assembly on top of the leaf spring with the flanged side of the lower bracket facing outward. Center the lower bracket above the center of the axle tube. Place the upper bracket on top of the air spring assembly.

- 6** Using the 2 "C" clamps, clamp the upper bracket to the frame. If necessary, install the frame to bracket spacers. Ensure the center of the brackets are centered above the axle for correct alignment. Ensure the minimum and maximum distances (from step 5) are achieved and the brackets are parallel to each other. 4 spacer brackets are provided to attain correct mounting height if necessary, install them between the leaf spring and the lower bracket.

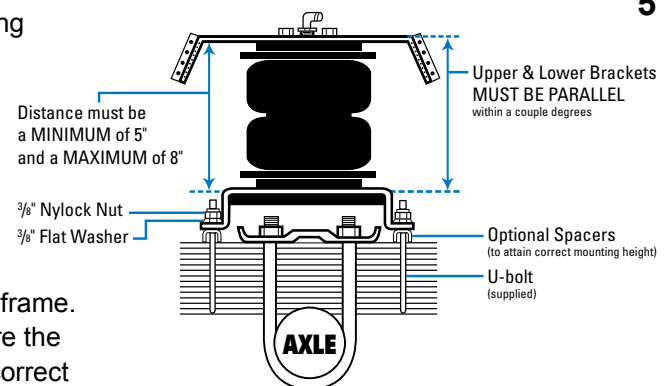
NOTE: Remove the lower air spring assembly when drilling the holes in the frame to avoid metal chips falling into the lower roll plate cavity. Install the swivel fitting into the top of the air spring. It is recommended to use teflon tape or some form of thread sealant to prevent air leaks. Finger tighten the swivel fitting and turn an extra 1.5 turns to tighten.



3



4

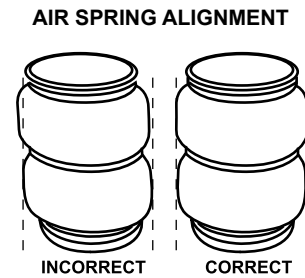


5



6

- 7** Once the correct position of the upper bracket is confirmed choose the 2 best mounting holes in each flange, top and bottom holes preferred. Check the inside of the frame for obstructions like electrical harnesses before drilling. Using the bracket as a template drill 4- $\frac{3}{8}$ " mounting holes. Fasten the bracket using the $\frac{3}{8}$ " x 1 $\frac{1}{2}$ " fasteners, small O.D. washers under the head of the fastener and the large O.D. washers on the inside of the frame, the nylock nuts and any spacers required between the upper bracket and the frame. Torque the fasteners to 40 ft-lbs.



- 8** Reinstall the lower air spring assembly. Using the $\frac{3}{8}$ " x $\frac{7}{8}$ " capscrews, flat and lock washers loosely fasten the top of the air spring to the upper bracket. Install the correct "U" bolts around the leaf spring and through the two holes in the lower bracket. Adjust the air spring on their brackets to achieve correct alignment. Once the correct alignment is achieved, tighten the upper and lower brackets to the air spring. Torque to 20 ft-lbs.



- 9** Tighten the front and rear "U" bolts around the leaf spring pack. Vehicles with overload springs use the shorter "U" bolts around the overload leaf. Vehicles without overload springs use the longer "U" bolts around the entire spring pack. Use the nylock nuts and small O.D. flat washers, torque to 16 ft-lbs. Cut off the threaded portion of the "U" bolt above the nyloc nut.

Repeat steps 4 to 10 on the other side of the vehicle.

Reinstall the inner fender liner if removed. A spacer and 1/4" fastener is provided to replace the center capscrew and space the liner away from the air spring.



10 AIRLINE INSTALLATION

Provided in the basic air spring kit are two fill valves, the most common place to install them is to replace the license plate fasteners with the fill valves. Alternatively, two holes can be drilled in a convenient location. Install one airline provided, route the nylon hose to an air spring fitting, cut the hose and connect to the air spring fitting. Repeat with the other fill valve. Secure airlines with the tie-straps provided away from moving items and heat sources.

If an in cab inflation kit is being installed, follow the instructions provided with it.

NOTE: This kit contains push to connect fittings, using scissors or wire cutters to cut the nylon airline will distort the line and cause the connection to leak. **THE AIRLINE MUST BE CUT OFF SQUARELY WITH A SHARP RAZOR KNIFE.** Moisten the end of the airline prior to inserting it into the fitting and push it in until it stops.



11 LEAK CHECK

Inflate both the air springs to 90 PSI. Use a dish soap and water mixture on all airline connections to detect air leaks. Repair as necessary and retest. Inflate the air springs to a predetermined value and then the following day recheck the pressure. If one or both of the air springs have lost pressure, a leak is present. The leak must be repaired and then retest the vehicle until no leaks exist.



Thank you again, and congratulations on the installation of the air suspension kit.

OPTIONAL ACCESSORIES

Optional dual needle air gauges are available to monitor pressure in each spring from vehicle cab, as well as a full line of air compressors, air tanks, and solenoids built to work with and control your air spring system.

OPERATING YOUR VEHICLE WITH AIR SUSPENSION

Air springs have minimum and maximum pressure requirements. Never operate your vehicle with less than 10 psi in air spring and never inflate air springs over 100 psi. Damage to air springs will result.

Check air pressure in air springs daily for first couple of days to ensure a leak has not developed. Air springs are designed to maintain the vehicles stock ride height with a load. Do not use the air springs as a means to lift vehicle with no load. This will result in a harsh ride.

SERVICING YOUR VEHICLE WITH AIR SUSPENSION

When lifting the vehicle with a floor jack or hoist on the frame, never allow the air spring to limit the travel of the axle. Try to always jack the vehicle on the axle. Suspending the axle with the air spring limiting the axle travel will damage the air spring and void the air spring warranty.

WARRANTY

To be eligible for warranty, the owner must submit their warranty card or register online within 30 days of the purchase date.

NOTE: The owner's warranty will be void if air springs are run with less than the minimum of 10 psi.

